

Title: Open AC Reactors Technical Specifications

Product(s): All AC Drives

Doc. No. PN.REACTORS.02

The following is a list of open reactors that can be used with Yaskawa Drives. The list includes the part number, ratings, and the dimensions of each reactor.

Contact Yaskawa with any questions on selecting, connecting, or installing these reactors.

Table of Contents

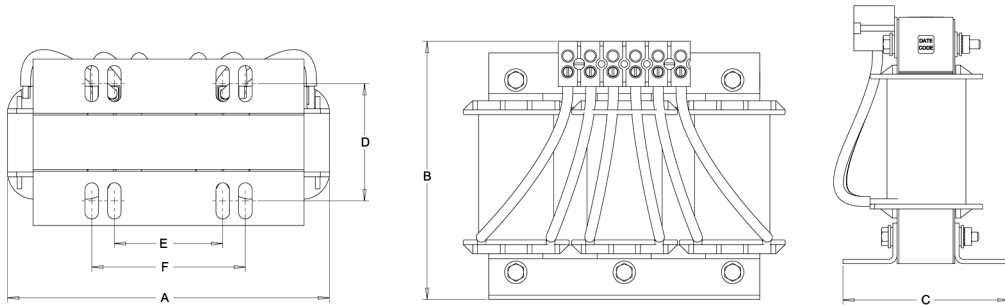
OPEN REACTOR DRAWINGS AND DETAILS2

Title: Open AC Reactors Technical Specifications

Product(s): All AC Drives

Doc. No. PN.REACTORS.02

Open AC Reactor Technical Specifications



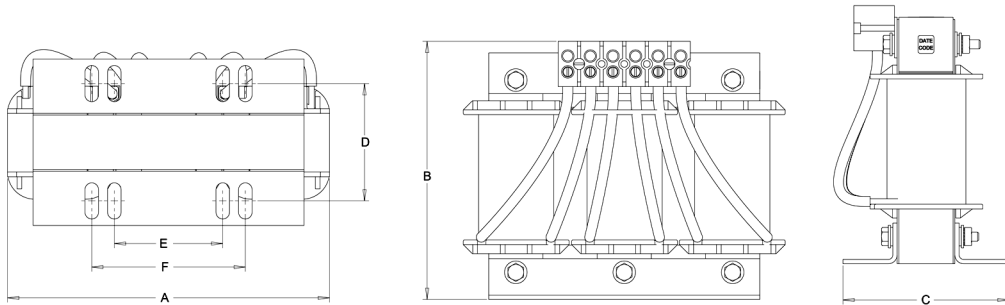
Reactor Part Number	Amp Rating	Inductance (mH)	Watt Loss	Dimensions						Wgt. Kg/Lbs.
				A	B	C	D	E	F	
				mm/in.	mm/in.	mm/in.	mm/in.	mm/in.	mm/in.	
05P00620-0013	130	0.2mh	180	243.8/9.6	182.9/7.2	152.4/6	93/3.7	92/3.63	108/4.3	19.5/43
05P00620-0014	2	20mh	11.3	106.7/4.2	101.6/4	66/2.6	50/2	37/1.4	65/2.6	1.8/4
05P00620-0017	4	3mh	14.5	106.7/4.2	101.6/4	66/2.6	50/2	37/1.4	65/2.6	1.8/4
05P00620-0018	4	9mh	20	106.7/4.2	101.6/4	76.2/3	60/2.4	37/1.4	65/2.6	2.3/5
05P00620-0024	8	1.5mh	19.5	149.9/5.9	116.8/4.6	73.7/2.9	53/2.1	51/2	76.2/3	3.2/7
05P00620-0025	8	5mh	25.3	149.9/5.9	119.4/4.7	83.8/3.3	67/2.6	51/2	76.2/3	5/11
05P00620-0044	35	0.4mh	49	180.3/7.1	144.8/5.7	94/3.7	66/2.6	76/3	76.2/3	6.4/14
05P00620-0049	45	0.7mh	62	226.1/8.9	182.9/7.2	116.8/4.6	80/3.2	76/3	108/4.3	11.8/26
05P00620-0064	130	0.1mh	108	243.8/9.6	185.4/7.3	149.9/5.9	80/3.2	76/3	108/4.3	13.2/29
05P00620-0069	160	0.075mh	116	243.8/9.6	182.9/7.2	152.4/6	80/3.2	92/3.63	108/4.3	18.6/41
05P00620-0070	160	0.15mh	149	274.3/10.8	213.4/8.4	170.2/6.7	88/3.5	92/3.63	141.7/5.6	24.5/54
05P00620-0075	200	0.055mh	124	243.8/9.6	182.9/7.2	180.3/7.1	106/4.2	92/3.63	108/4.3	17.2/38
05P00620-0085	320	0.04mh	224	274.3/10.8	213.4/8.4	200.7/7.9	131/5.2	117/4.6	141.7/5.6	36.3/80
05P00620-0094	500	0.05mh	694	363.2/14.3	281.9/11.1	269.2/10.6	172/6.8	117/4.6	182.9/7.2	72.6/160
05P00620-0098	600	0.04mh	689	363.2/14.3	281.9/11.1	279.4/11	203/8	117/4.6	182.9/7.2	79.4/175
05P00620-0102	750	0.029mh	630	363.2/14.3	281.9/11.1	292.1/11.5	204/8	183/7.2	182.9/7.2	86.2/190
05P00620-0131	2	12mh	7.5	106.7/4.2	101.6/4	66/2.6	50/2	37/1.4	65/2.6	1.8/4
05P00620-0132	4	6.5mh	20	106.7/4.2	101.6/4	66/2.6	50/2	37/1.4	65/2.6	1.8/4
05P00620-0133	8	3mh	29	149.9/5.9	116.8/4.6	73.7/2.9	53/2.1	51/2	76.2/3	3.6/8
05P00620-0134	12	1.25mh	26	149.9/5.9	127/5	81.3/3.2	53/2.1	51/2	76.2/3	4.1/9
05P00620-0135	12	2.5mh	31	149.9/5.9	127/5	81.3/3.2	53/2.1	51/2	76.2/3	4.5/10
05P00620-0136	18	0.8mh	36	149.9/5.9	129.5/5.1	81.3/3.2	54/2.1	51/2	76.2/3	4.1/9
05P00620-0137	18	1.5mh	43	149.9/5.9	129.5/5.1	88.9/3.5	63/2.5	51/2	76.2/3	5.4/12
05P00620-0138	25	1.2mh	52	180.3/7.1	147.3/5.8	86.7/3.4	60/2.4	76/3	76.2/3	6.4/14
05P00620-0139	35	0.8mh	54	180.3/7.1	147.3/5.8	94/3.7	70/2.8	76/3	76.2/3	7.3/16
05P00620-0140	45	0.3mh	54	226.1/8.9	180.3/7.1	116.8/4.6	80/3.2	76/3	108/4.3	10/22
05P00620-0141	55	0.25mh	64	228.6/9	175.3/6.9	134.6/5.3	80/3.2	76/3	108/4.3	10.9/24

Title: Open AC Reactors Technical Specifications

Product(s): All AC Drives

Doc. No. PN.REACTORS.02

Open AC Reactor Technical Specifications (cont.)



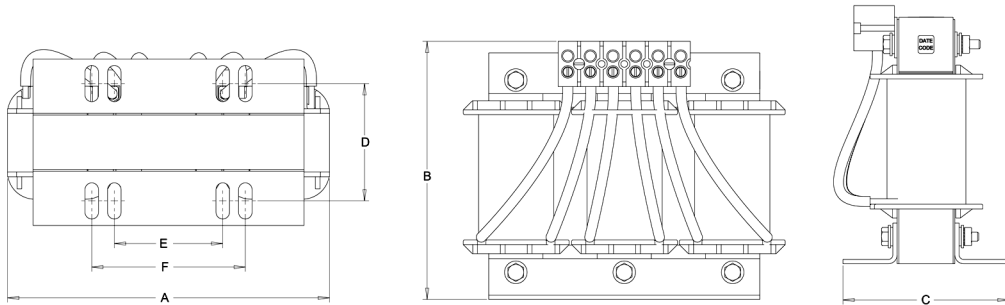
Reactor Part Number	Amp Rating	Inductance (mH)	Watt Loss	Dimensions						Wgt. Kg/Lbs.
				A	B	C	D	E	F	
				mm/in.	mm/in.	mm/in.	mm/in.	mm/in.	mm/in.	
05P00620-0142	55	0.5mh	67	228.6/9	175.3/6.9	134.6/5.3	80/3.2	76/3	108/4.3	11.8/26
05P00620-0143	80	0.2mh	82	226.1/8.9	175.3/6.9	144.8/5.7	88/3.5	92/3.63	108/4.3	11.3/25
05P00620-0144	80	0.4mh	86	226.1/8.9	180.3/7.1	144.8/5.7	88/3.5	92/3.63	108/4.3	15/33
05P00620-0145	100	0.3mh	84	226.1/8.9	177.8/7	167.6/6.6	93/3.7	92/3.63	108/4.3	16.8/37
URX000078	1	18mh	8	111.8/4.4	104.1/4.1	71.1/2.8	50/2	37/1.4	65/2.6	1.4/3
URX000080	2	6mh	10.7	106.7/4.2	101.6/4	66/2.6	44/1.7	37/1.4	65/2.6	1.4/3
URX000083	25	0.5mh	48	180.3/7.1	144.8/5.7	86.7/3.4	60/2.4	76/3	76.2/3	5/11
URX000085	100	0.15mh	94	226.1/8.9	177.8/7	152.4/6	88/3.5	92/3.62	108/4.3	13.2/29
URX000175	250	0.045mh	154	243.8/9.6	177.8/7	205.7/8.1	106/4.2	92/3.63	108/4.3	21.3/47
URX000176	250	0.09mh	231	274.3/10.8	215.9/8.5	193/7.6	131/5.2	117/4.6	141.7/5.6	36.3/80
URX000178	320	0.04mh	224	274.3/10.8	213.4/8.4	200.7/7.9	131/5.2	117/4.6	141.7/5.6	36.3/80
URX000179	320	0.075mh	264	274.3/10.8	213.4/8.4	226.1/8.9	149/5.9	117/4.6	141.7/5.6	46.3/102
URX000181	400	0.03mh	213	279.4/11	213.4/8.4	218.4/8.6	131/5.2	117/4.6	141.7/5.6	38.1/84
URX000182	400	0.06mh	571	363.2/14.3	281.9/11.1	238.8/9.4	172/6.8	117/4.6	182.9/7.2	53.5/118
URX000280	0.75	31mH	6.6	114.3/4.5	94/3.7	38.1/1.5	N/A	N/A	101.6/4	0.9/2
URX000281	0.75	49mH	8.8	114.3/4.5	94/3.7	38.1/1.5	N/A	N/A	101.6/4	0.9/2
URX000283	1.1	10mH	4.8	114.3/4.5	94/3.7	38.1/1.5	N/A	N/A	101.6/4	0.9/2
URX000284	1.1	21mH	7.8	114.3/4.5	94/3.7	38.1/1.5	N/A	N/A	101.6/4	0.9/2
URX000285	1.1	33mH	10.1	114.3/4.5	94/3.7	38.1/1.5	N/A	N/A	101.6/4	0.9/2
URX000286	1.1	42mH	11.9	114.3/4.5	94/3.7	38.1/1.5	N/A	N/A	101.6/4	0.9/2
URX000287	1.6	6.9mH	6.9	114.3/4.5	94/3.7	38.1/1.5	N/A	N/A	101.6/4	0.9/2
URX000288	1.6	14mH	10.9	114.3/4.5	94/3.7	38.1/1.5	N/A	N/A	101.6/4	0.9/2
URX000289	1.6	23mH	15	114.3/4.5	94/3.7	38.1/1.5	N/A	N/A	101.6/4	0.9/2
URX000291	2.1	5.3mH	9	114.3/4.5	94/3.7	38.1/1.5	N/A	N/A	101.6/4	0.9/2
URX000292	2.1	11mH	14.3	114.3/4.5	94/3.7	38.1/1.5	N/A	N/A	101.6/4	0.9/2
URX000293	2.1	18mH	19.6	114.3/4.5	94/3.7	38.1/1.5	N/A	N/A	101.6/4	0.9/2
URX000295	3.4	3.2mH	12.3	114.3/4.5	94/3.7	38.1/1.5	N/A	N/A	101.6/4	0.9/2

Title: Open AC Reactors Technical Specifications

Product(s): All AC Drives

Doc. No. PN.REACTORS.02

Open AC Reactor Technical Specifications (cont.)



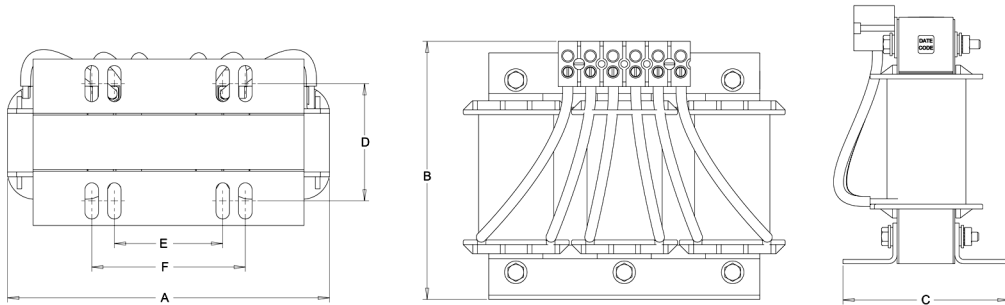
Reactor Part Number	Amp Rating	Inductance (mH)	Watt Loss	Dimensions						Wgt. Kg/Lbs.
				A	B	C	D	E	F	
				mm/in.	mm/in.	mm/in.	mm/in.	mm/in.	mm/in.	
URX000296	3.4	6.8mH	19.6	114.3/4.5	94/3.7	38.1/1.5	N/A	N/A	101.6/4	0.9/2
URX000297	3.4	11mH	26.5	106.7/4.2	101.6/4	66/2.6	48.3/1.9	35.6/1.4	66/2.6	1.4/3
URX000299	4.8	2.3mH	13.8	114.3/4.5	94/3.7	38.1/1.5	N/A	N/A	101.6/4	0.9/2
URX000300	4.8	4.8mH	23	114.3/4.5	94/3.7	38.1/1.5	N/A	N/A	101.6/4	0.9/2
URX000301	4.8	7.7mH	37.5	106.7/4.2	101.6/4	66/2.6	48.3/1.9	35.6/1.4	66/2.6	1.4/3
URX000303	7.6	1.5mH	19.2	114.3/4.5	94/3.7	38.1/1.5	N/A	N/A	101.6/4	0.9/2
URX000304	7.6	3mH	37.2	106.7/4.2	101.6/4	66/2.6	48.3/1.9	35.6/1.4	66/2.6	1.4/3
URX000305	7.6	4.8mH	47.8	106.7/4.2	101.6/4	76.2/3	58.4/2.3	35.6/1.4	66/2.6	1.8/4
URX000306	7.6	6mH	53.8	106.7/4.2	104.1/4.1	76.2/3	58.4/2.3	35.6/1.4	66/2.6	1.8/4
URX000307	11	1mH	26.8	106.7/4.2	104.1/4.1	66/2.6	48.3/1.9	35.6/1.4	66/2.6	1.4/3
URX000308	11	2.1mH	40.9	106.7/4.2	104.1/4.1	66/2.6	48.3/1.9	35.6/1.4	66/2.6	1.8/4
URX000309	11	3.3mH	54.4	106.7/4.2	104.1/4.1	83.8/3.3	63.5/2.5	35.6/1.4	66/2.6	2.3/5
URX000311	14	0.79mH	32.7	106.7/4.2	104.1/4.1	66/2.6	48.3/1.9	35.6/1.4	66/2.6	1.4/3
URX000312	14	1.6mH	48.2	106.7/4.2	104.1/4.1	76.2/3	58.4/2.3	35.6/1.4	66/2.6	1.8/4
URX000313	14	2.6mH	60.6	149.9/5.9	119.4/4.7	73.7/2.9	53.3/2.1	50.8/2	76.2/3	3.2/7
URX000315	21	0.53mH	38.3	106.7/4.2	132.1/5.2	76.2/3	58.4/2.3	35.6/1.4	66/2.6	1.8/4
URX000316	21	1.1mH	57.4	149.9/5.9	152.4/6	73.7/2.9	53.3/2.1	50.8/2	76.2/3	3.2/7
URX000317	21	1.8mH	73.5	149.9/5.9	152.4/6	83.8/3.3	63.5/2.5	50.8/2	76.2/3	4.5/10
URX000319	28	0.39mH	48.2	106.7/4.2	55.9/2.2	83.8/3.3	63.5/2.5	35.6/1.4	66/2.6	2.3/5
URX000320	28	0.82mH	66.8	149.9/5.9	152.4/6	83.8/3.3	63.5/2.5	50.8/2	76.2/3	4.5/10
URX000321	28	1.3mH	93.8	149.9/5.9	152.4/6	83.8/3.3	63.5/2.5	50.8/2	76.2/3	4.5/10
URX000323	35	0.35mH	69	149.9/5.9	152.4/6	88.9/3.5	71.1/2.8	50.8/2	76.2/3	4.5/10
URX000324	35	0.71mH	103	180.3/7.1	147.3/5.8	94/3.7	68.6/2.7	N/A	76.2/3	5.9/13
URX000325	35	1.2mH	122	180.3/7.1	147.3/5.8	106.7/4.2	81.3/3.2	N/A	76.2/3	8.2/18
URX000326	46	0.3mH	78	180.3/7.1	147.3/5.8	94/3.7	68.6/2.7	N/A	76.2/3	5.4/12
URX000327	46	0.55mH	100	180.3/7.1	144.8/5.7	106.7/4.2	81.3/3.2	N/A	76.2/3	7.7/17
URX000328	46	0.98mH	179	226.1/8.9	210.8/8.3	116.8/4.6	81.3/3.2	76.2/3	109.2/4.3	10.9/24

Title: Open AC Reactors Technical Specifications

Product(s): All AC Drives

Doc. No. PN.REACTORS.02

Open AC Reactor Technical Specifications (cont.)



Reactor Part Number	Amp Rating	Inductance (mH)	Watt Loss	Dimensions						Wgt. Kg/Lbs.
				A	B	C	D	E	F	
				mm/in.	mm/in.	mm/in.	mm/in.	mm/in.	mm/in.	
URX000329	55	0.27mH	68	180.3/7.1	139.7/5.5	124.5/4.9	81.3/3.2	N/A	76.2/3	8.2/18
URX000330	55	0.47mH	110	180.3/7.1	142.2/5.6	142.2/5.6	81.3/3.2	N/A	76.2/3	9.1/20
URX000332	65	0.19mH	87	180.3/7.1	142.2/5.6	127/5	81.3/3.2	N/A	76.2/3	8.2/18
URX000333	65	0.38mH	105	180.3/7.1	144.8/5.7	152.4/6	81.3/3.2	N/A	76.2/3	10/22
URX000335	83	0.17mH	119	180.3/7.1	142.2/5.6	149.9/5.9	81.3/3.2	N/A	76.2/3	8.6/19
URX000336	83	0.29mH	155	226.1/8.9	180.3/7.1	147.3/5.8	81.3/3.2	76.2/3	109.2/4.3	11.8/26
URX000338	104	0.12mH	94	180.3/7.1	142.2/5.6	142.2/5.6	81.3/3.2	N/A	76.2/3	10/22
URX000339	104	0.23mH	200	226.1/8.9	180.3/7.1	157.5/6.2	81.3/3.2	76.2/3	109.2/4.3	12.7/28
URX000341	130	0.095mH	132	226.1/8.9	180.3/7.1	162.6/6.4	81.3/3.2	76.2/3	109.2/4.3	11.8/26
URX000342	130	0.18mH	153	243.8/9.6	177.8/7	175.3/6.9	94/3.7	76.2/3	109.2/4.3	16.8/37
URX000344	160	0.08mH	110	226.1/8.9	177.8/7	162.6/6.4	96.5/3.8	76.2/3	109.2/4.3	15.4/34
URX000345	160	0.155mH	195	243.8/9.6	185.4/7.3	180.3/7.1	96.5/3.8	76.2/3	109.2/4.3	18.1/40
URX000347	200	0.06mH	159	226.1/8.9	175.3/6.9	162.6/6.4	94/3.7	76.2/3	109.2/4.3	15.4/34
URX000348	200	0.115mH	224	243.8/9.6	182.9/7.2	200.7/7.9	121.9/4.8	76.2/3	109.2/4.3	22.2/49
URX000350	250	0.05mH	275	226.1/8.9	180.3/7.1	175.3/6.9	94/3.7	76.2/3	109.2/4.3	15.9/35
URX000351	250	0.095mH	284	243.8/9.6	182.9/7.2	200.7/7.9	119.4/4.7	76.2/3	109.2/4.3	24.9/55
URX000353	322	0.05mH	300	243.8/9.6	185.4/7.3	213.4/8.4	119.4/4.7	76.2/3	109.2/4.3	25.9/57
URX000354	322	0.07mH	383	274.3/10.8	213.4/8.4	221/8.7	137.2/5.4	91.4/3.6	142.2/5.6	34.5/76
URX000356	414	0.033mH	333	274.3/10.8	213.4/8.4	233.7/9.2	137.2/5.4	91.4/3.6	142.2/5.6	35.4/78
URX000357	414	0.066mH	531	274.3/10.8	215.9/8.5	264.2/10.4	175.3/6.9	91.4/3.6	142.2/5.6	44.5/98
URX000359	515	0.025mH	314	274.3/10.8	213.4/8.4	223.5/8.8	137.2/5.4	91.4/3.6	142.2/5.6	36.7/81
URX000360	515	0.05mH	496	274.3/10.8	215.9/8.5	307.3/12.1	162.6/6.4	91.4/3.6	142.2/5.6	53.5/118
URX000362	600	0.02mH	375	274.3/10.8	215.9/8.5	251.5/9.9	137.2/5.4	91.4/3.6	142.2/5.6	170.1/375
URX000363	600	0.04mH	747	363.2/14.3	284.5/11.2	299.7/11.8	205.7/8.1	116.8/4.6	182.9/7.2	65.3/144
URX000365	750	0.017mH	468	274.3/10.8	218.4/8.6	279.4/11	175.3/6.9	91.4/3.6	142.2/5.6	47.6/105
URX000366	750	0.035mH	838	363.2/14.3	287/11.3	279.4/11	193/7.6	116.8/4.6	182.9/7.2	75.3/166
URX000586	200	0.11mh	168	243.8/9.6	182.9/7.2	200.7/7.9	112/4.4	92/3.63	108/4.3	24.5/54